

CR 12



A class of its own!

With the development of the CR 12 soil compactor, Weber MT has produced power in "Xtra Large" with a machine that has 120 kN of centrifugal force, a 3 cylinder Lombardini diesel engine and an operating weight of 900 kg.

The CR 12 has a fully hydraulic vibration drive, setting standards in quality and technology. The CR 12 was designed to be used in road construction, civil engineering, and trench construction.

10 good reasons for the CR 12

- ▶ High engine output. Advantage: ample power reserve.
- ▶ On/off vibration control by means of a push-button switch. Advantage: the machine can be started without vibration and does not need to be turned off during short work breaks.
- ▶ Starter module with additional functions: hourmeter, indicators and engine protection for oil pressure, battery voltage, engine temperature and air filter restrictor. Advantage: if a malfunction occurs in these areas, the machine will stop – the failure can be repaired immediately before serious damage to the machine occurs.
- ▶ Frequency adjustment. Advantage: optimum operator support when compacting difficult soils.
- ▶ Infinitely variable hydraulic control of forward and reverse travel by means of a finger-tip switch. Advantage: easy and comfortable machine operation/control.
- ▶ "Deadman control" as emergency stop button at the handlebar. Advantage: machine stop in case of emergency.
- ▶ Closed engine hood. Advantage: optimum protection of the engine and other functional parts against damage and dirt.
- ▶ "Vandalism protection". Advantage: starter and maintenance access doors are locked up and thus protected against unauthorized access.
- ▶ Closed, self-cleaning base plate with hydraulic components. Advantage: no accumulation of construction material on the base plate. Parts of the hydraulic drive are protected against damage.
- ▶ Handlebar adjustable in height: Advantage: adaptation to the operator's height.

The CR 12 and its specifications

Type	CR 12	
Operating weight according to CECE, including standard extension plates	kg (lbs)	900 (1,985)
Centrifugal force	kN (lbs)	120 (27,000)
Frequency	Hz (r.p.m)	57 (3,420)
Drive		hydraulic
Working width	mm (in.)	700*/800/950** (27.6*/31.5/37.5**)
Engine manufacturer		Lombardini-Diesel
Type of engine		LDW 1003 (water-cooled)
Engine power output, max.	kW (HP)	19.5 (26.7)
Engine power output at operating speed	kW (HP) at. r.p.m.	17.0 (23.3) at 3,100
Working speed	m/min. (ft/min.)	0-27 (0-89)

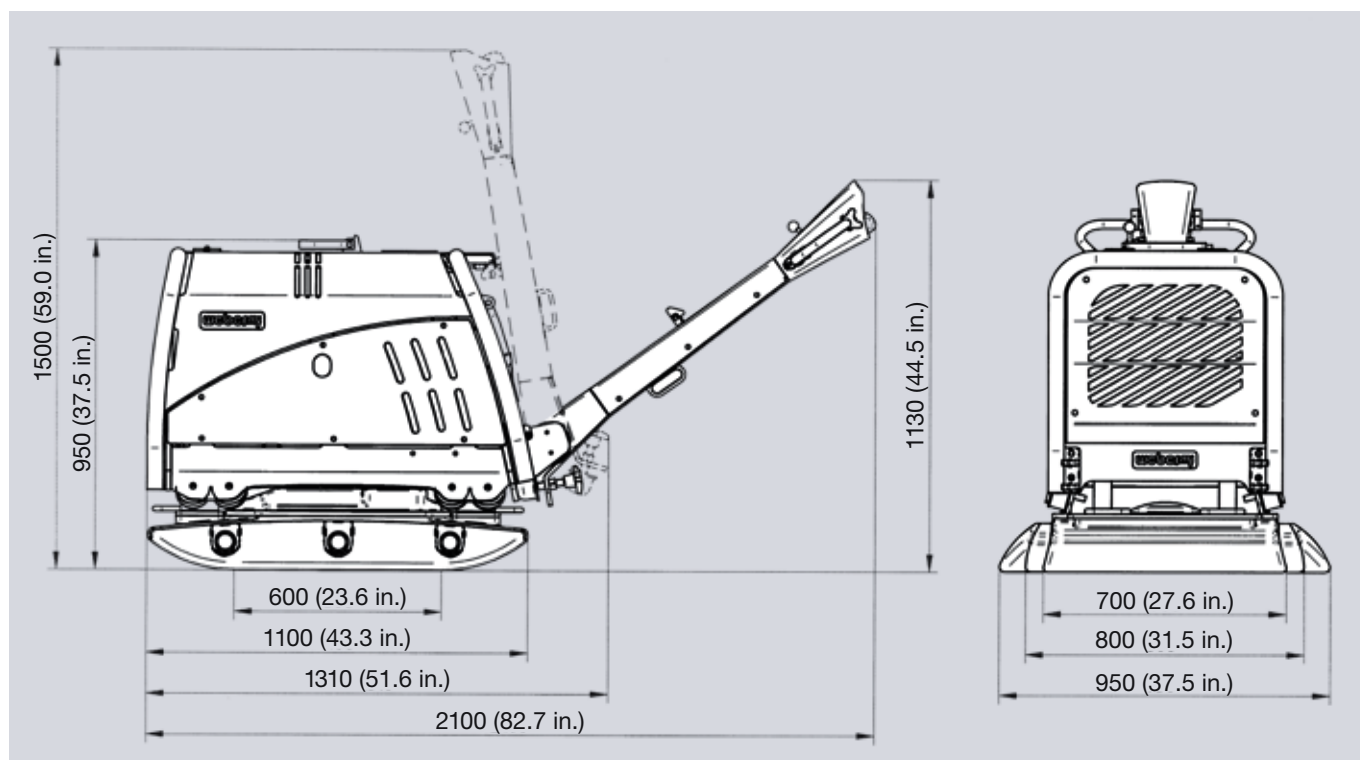
* Working width can be reduced by dismantling the standard extension plates.

** With extension plates 2 x 125 mm (optional extra).

Included: Electric starter. Tie-down lugs and folding lifting lug for easy transport.

Available extras: Extension plates.

We reserve the right to alter specifications.



Dimensions in mm (inches).